



KB2LJJ

Radio Mods Database and Manuals

[Home](#)

Modifications for the Yaesu FT-857

MARS mod of the FT-857 US Version

MARS mod of the FT-857

Installing The FT-857 Options

Second menu for FT-857

FT-857 Mods By DG2IAQ

TX Power Mod for Yaesu FT857(D)

WARNING: changing these will reset all the memories.

1. Enter the Servicemenu. I want to warn you do not change these values unless you are sure of what

you are doing. To get them turn transceiver off. Press and hold the A,B,C keys; while holding them in, press and hold in the [PWR] switch for 1/2 second to turn the transceiver On. Now let go of all keys. Press F key to finish.

2. For this procedure you will need a Dummy Load (or a well matched Antenna) and a Wattmeter!
3. Locate Menu No

NO-024 HF1-PO-MAX 165 (set to 255) CW 1.800.00

NO-028 HF2-PO-MAX 159 (set to 255) CW 7.068.19

NO-032 HF3-PO-MAX 158 (set to 255) CW 21.225.13

NO-036 50M-PO-MAX 145 (set to 255) CW 50.000.00

NO-040 VHF-PO-MAX 87 (set to 255) CW 145.437.50

NO-043 UHF-PO-MAX 112 (set to 255) CW 438.900.00

That's it!

After this mod I have about 130 Watts on HF and 6 mtr, about 90 Watts on VHF and 40 Watts on UHF!

I have done this mode a few month ago and I have no problems (my Final Transistor is still ok ;-)) !

IMPORTANT: Before changing any values in the Aligment menue, please write down your original settings!

WARNING: DOING THIS MOD MAY EVENTUALLY RESULT IN A DAMAGED FINAL TRANSISTER AND/OR REDUCED SERVICE LIFE!!

73 de Alex, HB9TSF, NH7VW

MARS mod of the FT-857 (US version)

FT-857 (US version)

Modification for TX:

1.8-56MHz, 137-164MHz, 420-470MHz

1. Remove the seven screws affixing the top panel of the transceiver, and gently lift it upward.
2. Carefully remove the small 2-pin speaker plug from the left rear corner of the transceiver interior then remove the top case and set it aside for the moment.
3. Locate the nine jumpers about 2" from the front edge of the main unit and about 3/4" from the left edge. For 144/430MHz expansion only, remove the jumper at JP1002, leaving the other jumpers alone. For complete expansion per the above listing, place jumpers at JP1007/1008/1009, and remove the jumpers at JP1001/1002/1003/1004/1005 (leave the jumper at JP1006 in place). **NOTE THE UNUSUAL SEQUENCE FOR THE NUMBERING.**
4. Replace the top panel; don't forget to re-connect the speaker lead removed in step 2.
5. With the transceiver off, press and hold in the [F] and [V/M] keys; while holding them in, turn the radio on. Modification is now complete.



Hanno Vogels, DG8JZ

Thanks to [Roar Dehli](#) for this picture.



Subject: Jumper number

User comment

---BACK OF RADIO-----

1007 - Jumper
1008 - Jumper
1009 - Jumper
1004 - Blank
1005 - Blank
1006 - Jumper
1001 - Blank
1002 - Blank
1003 - Blank
----FRONT OF RADIO-----

Installing The FT-857 Options

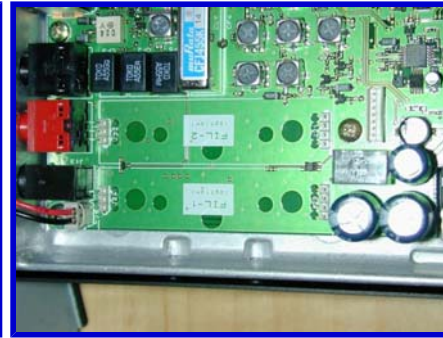
Author: Dave Fifield (AD6A) - dave@ad6a.com

Here are some photos showing the procedure to install the optional filters (and a few showing off the color display), TXCO-9 and DSP-2 to the Yaesu FT-857 rig. There's nothing hard about installing any of these modifications. The instructions in the Yaesu manual are fairly comprehensive and the menu options to select them are easy to get right.

Make sure to get the filters and TXCO-9 round the right way. As with it's big brother, the FT-897, it's worth noting that the FT-857 optional filters are labeled with different part numbers than are on the boxes they come in! The YF-122S is marked XF-119SN and the YF-122CN is marked XF-119CN.

The schematic of the FT-857 is almost identical to the FT-897. Both rigs support the ATAS-100 and ATAS-120 antennas with every option you can think of for diplexer/separate antenna use. Please email me if you have any questions or comments. Click on any of the pictures to see it in full detail. Hover your mouse over

the pictures to see my comments on it.





Legal notice - All the material on this website is Copyright 2003 Dave Fifield, AD6A, all rights reserved - please ask for permission if you would like to utilize any or all of it in any form other than for your own

immediate personal use.

This article can also be found at <http://www.ad6a.com/FT857options.html>.

Second menu for FT-857

Author: - pascal.34@bluewin.ch

There is a second set of menu functions F01 to F74.

WARNING: changing these will reset all the memories.

I want to warn you do not change these values unless you are sure of what you are doing. To get them turn transceiver off. Press and hold the A,B,C keys; while holding them in, press and hold in the [PWR] switch for 1/2 second to turn the transceiver On. Now let go of all keys. Attention, for menu NO-017. Input voltage 13.8V = 138 to calibre voltmeter. Press F key to finish.

Function Setting in my radio

```
=====
Adjust-No      Function          Setting  Mode    Frequency
=====
```

Adjust-No	Function	Setting	Mode	Frequency
NO-001	HF1-RXG	118	CW	1.800.00
NO-002	HF2-RXG	91	CW	7.068.19
NO-003	HF3-RXG	133	CW	21.225.13
NO-004	50M-RXG	106	CW	50.000.00
NO-005	VHF-RXG	77	CW	145.437.50
NO-006	UHF-RXG	103	CW	438.900.00
NO-007	SSB-S9	61	CW	21.225.13
NO-008	SSB-FS	54	CW	21.225.13
NO-009	FM-S1	68	FM	145.437.50
NO-010	FM-FS	99	FM	145.437.50
NO-011	DISC-L	50	FM	145.437.50
NO-012	DISC-H	79	FM	145.437.50

```
=====
```

NO-013	FM-TH1	100	FM	145.437.50
NO-014	FM-TH2	100	FM	145.437.50
NO-015	FM-TI1	10	FM	145.437.50
NO-016	FM-TI2	10	FM	145.437.50
NO-017	VCC	138	FM	145.437.50
NO-018	HF1-IC	83	CW	1.800.00
NO-019	HF2-IC	80	CW	7.068.19
NO-020	HF3-IC	87	CW	21.225.13
NO-021	50M-IC	84	CW	50.000.00
NO-022	VHF-IC	72	CW	145.437.50
NO-023	UHF-IC	74	CW	438.900.00
NO-024	HF1-PO-MAX	165	CW	1.800.00
NO-025	HF1-PO-MID2	105	CW	1.800.00
NO-026	HF1-PO-MID1	31	CW	1.800.00
NO-027	HF1-PO-MIN	13	CW	1.800.00
NO-028	HF2-PO-MAX	159	CW	7.068.19
NO-029	HF2-PO-MID2	102	CW	7.068.19
NO-030	HF2-PO-MID1	29	CW	7.068.19
NO-031	HF2-PO-MIN	11	CW	7.068.19
NO-032	HF3-PO-MAX	158	CW	21.225.13
NO-033	HF3-PO-MID2	101	CW	21.225.13
NO-034	HF3-PO-MID1	29	CW	21.225.13
NO-035	HF3-PO-MIN	11	CW	21.225.13
NO-036	50M-PO-MAX	145	CW	50.000.00
NO-037	50M-PO-MID2	92	CW	50.000.00
NO-038	50M-PO-MID1	47	CW	50.000.00
NO-039	50M-PO-MIN	8	CW	50.000.00
NO-040	VHF-PO-MAX	87	CW	145.437.50
NO-041	VHF-PO-MID	43	CW	145.437.50
NO-042	VHF-PO-MIN	7	CW	145.437.50
NO-043	UHF-PO-MAX	112	CW	438.900.00
NO-044	UHF-PO-MIN	16	CW	438.900.00
NO-045	HF1-TXG	48	USB	1.800.00
NO-046	HF2-TXG	38	USB	7.068.19
NO-047	HF3-TXG	43	USB	21.225.13
NO-048	50M-TXG	40	USB	50.000.00
NO-049	VHF-TXG	47	USB	145.437.50
NO-050	UHF-TXG	49	USB	438.900.00
NO-051	ALC1-M	203	USB	21.225.13
NO-052	ALC-M	85	USB	21.225.13

NO-053	HF1-REV-ALC	61	CW	1.800.00
NO-054	HF2-REV-ALC	56	CW	7.068.19
NO-055	HF3-REV-ALC	50	CW	21.225.13
NO-056	50M-REV-ALC	47	CW	50.000.00
NO-057	VHF-REV-ALC	62	CW	145.437.50
NO-058	UHF-REV-ALC	57	CW	438.900.00
NO-059	CW-CAR-LEVEL	144	CW	21.225.13
NO-060	AM-CAR-LEVEL	125	AM	21.225.13
NO-061	DEV-W	216	FM	145.437.50
NO-062	DEV-N	110	FM	145.437.50
NO-063	MOD-MTR	200	FM	145.437.50
NO-064	DTMF-DEV	10	FM	145.437.50
NO-065	CTCSS-DEV	233	FM	145.437.50
NO-066	DCS-DEV	168	FM	145.437.50
NO-067	LSB-CAR-POINT	-7	LSB	21.225.13
NO-068	USB-CAR-POINT	+5	USB	21.225.13
NO-069	VSWR2 at 10W	17	CW	14.257.90
NO-070	VSWR3 at 10W	42	CW	14.257.90
NO-071	ATAS-TEST		LSB	14.257.90
NO-072	AMTR-TEST		LSB	14.257.90
NO-073	HTEMP-THRESHOLD	38	LSB	14.257.90
NO-074	FTEMP-THRESHOLD	102	LSB	14.257.90

Yaesu FT-857D

Inleiding

Hieronder staat diverse informatie over de Yaesu FT-857D zendontvanger.

Specificaties

- Type: Amateur HF/VHF/UHF transceiver
- Frequency range:
 - TX: 10-160 m + WARC / 6 m / 2 m / 70 cm
 - RX: 0.1-76 / 108-174 / 420-512 MHz
- Mode: AM/FM/SSB/CW and WFM (RX only)



- RF Power output:
 - 6-160 m: 100 W
 - 2 m: 50 W
 - 70 cm: 20 W
- Sensitivity: N/A
- Selectivity: N/A
- Image rejection: N/A
- Voltage: 13.8 VDC
- Current drain:
 - RX: 0.6-1 A
 - TX: Max 22 A
- Impedance: 50 ohms, 2*SO-239
- Dimensions (W*H*D): 155*52*233 mm
- Weight: 2.1 Kg
- Manufactured: 2003-2004
- Other:
 - Built-in keyer
 - Beacon mode
 - 32 color display
 - CTCSS
 - 200 memories
 - Detachable front panel
 - DSP option

Ultra Compact Design

Measuring just 6.1" x 2" x 9.2" (155 x 52 x 233 mm), the FT-857 is the worlds smallest full-power HF/VHF/UHF multimode transceiver! Its rugged case design is a masterpiece of ergonomic design, with often-used switches and knobs conveniently positioned for easy access.

High-Performance Receiver Design

Building on the acclaimed performance of the FT-1000D, Mark-V FT-1000MP, and FT-897, Yaesu engineers have crafted the FT-857s front end for a very low noise floor, along with wide dynamic range. Utilizing an up-conversion architecture for HF with a first IF of 68.33 MHz, the FT-857 features a double-conversion superheterodyne system (triple conversion on FM), with the 2nd IF at 10.7 MHz. Extensive bandpass filtering in the front end, along with careful device selection and gain distribution, yield a receiver system ready for the strong-signal challenges of todays crowded bands!

Wide Frequency Coverage

Providing transmitter coverage of the HF, 50 MHz, 144 MHz, and 430 MHz Amateur bands, the FT-857 also includes receive coverage on 100 kHz to 56 MHz, 76 to 108 MHz, 118-164 MHz, and 420-470 MHz. Enjoy the excitement of public safety monitoring, along with weather broadcasts, AM and FM broadcasts, aviation

communications, as well as the action on the Ham bands!

Versatile Memory System

The FT-857 provides up to 200 "Main" memory channels, each of which may be named with an Alpha-Numeric label of up to eight characters. These 200 Memories may be separated into as many as 10 Memory Groups of 20 Memories each. For added convenience, you also get a "Quick Memory" and a "Home Channel" on each band, plus ten pairs of band-limit memories, to let you restrict operation to a sub-band, if you like.

Digital Signal Processing (option)

For superior interference rejection and transmitter "talk power," the FT-857s optional DSP circuitry enhances both sides of the communications circuit. The FT-857s DSP Unit features a 24-bit high-tech D/A chip for signal processing. Included are Bandpass Filter, Auto-Notch, and Noise Reduction filters, along with a Microphone Equalizer.

Big Radio Tuning Dial and Outstanding Ergonomics Ease of operation of the FT-857 is enhanced by the large-diameter (1.7") Main Tuning Dial, similar in size to the tuning knob of many base station rigs. Selectable tuning steps of 2 kHz/4 kHz per revolution allow easy navigation around your favorite bands, while important keys and switches are strategically placed around the front panel for quick access.

Microfoon bedrading

Pin Functies RJ45. Standaard zijn de microfoon functies actief. Via Menu Mode No 059 [Mic Sel] is de modus in te stellen. Als deze op [CAT] wordt gezet in plaats van [Mic] kan deze poort gebruikt worden als data interface.

Nr	Mic Mode	Extra Functions
1	FAST	Power Switch
2	Ground (control)	PTT (Ground)
3	PTT	PTT
4	Mic AF	Mic AF
5	Ground (Mic)	Ground (Mic)
6	+ 5V	+ 5V
7	UP	RXD
8	DOWN	TXD

Relay Cleaning

By pressing both Band Buttons (UP & DWN) while starting up, the FT-857 will beep a few times and then displays the following message: "RELAY CLEANING" and all the relays start working. This is not mentioned on the user or the service manuals.

More TX Power

WARNING: Changing these will reset all the memories. Aonly at your own risk!

IMPORTANT: Before changing any values in the Aligment menue, please write down your original settings!

WARNING: DOING THIS MOD MAY EVENTUALLY RESULT IN A DAMAGED FINAL TRANSISTER AND/OR REDUCED SERVICE LIFE!!

Enter the servicemenu. I want to warn you do not change these values unless you are sure of what you are doing. To get them turn transceiver off. Press and hold the A,B,C keys; while holding them in, press and hold in the [PWR] switch for 1/2 second to turn the transceiver On. Now let go of all keys. Press F key to finish. For this procedure you will need a Dummy Load (or a well matched Antenna) and a Wattmeter!

Locate Menue No:

- NO-024 HF1-PO-MAX 165 (set to 255) CW 1.800.00
- NO-028 HF2-PO-MAX 159 (set to 255) CW 7.068.19
- NO-032 HF3-PO-MAX 158 (set to 255) CW 21.225.13
- NO-036 50M-PO-MAX 145 (set to 255) CW 50.000.00
- NO-040 VHF-PO-MAX 87 (set to 255) CW 145.437.50
- NO-043 UHF-PO-MAX 112 (set to 255) CW 438.900.00

Now you're done.

After this mod I have about 130 Watts on HF and 6 mtr, about 90 Watts on VHF and 40 Watts on UHF!

40m Band Expansion (UK Version)

I have expanded my radio frequency 7.100 to 7.200 mhz



transmission using hardware jumper fix method. This is how to do it:

- Open the top cover of the radio;
- Locate the jumper section- you will see nine jumpers about 2" from the front edge of the main unit and about 3/4" from the left edge;
- Now remove the jumper at JP1002 by using a low power Soldering Iron (not to damage the board or the next components);
- Put everything back and close the radio;
- Press and hold in the [F] and [V/M] keys and switch the radio on while holding them.

Service Menu

There is a second set of menu functions F01 to F74.

WARNING: changing these will reset all the memories.

I want to warn you do not change these values unless you are sure of what you are doing. To get them turn transceiver off. Press and hold the A,B,C keys; while holding them in, press and hold in the [PWR] switch for 1/2 second to turn the transceiver On. Now let go of all keys. Attention, for menu NO-017. Input voltage 13.8V = 138 to calibre voltmeter. Press F key to finish.

Function Setting in my radio:

Adjust-No	Function	Setting	Mode	Frequency
NO-001	HF1-RXG	118	CW	1.800.00
NO-002	HF2-RXG	91	CW	7.068.19
NO-003	HF3-RXG	133	CW	21.225.13
NO-004	50M-RXG	106	CW	50.000.00
NO-005	VHF-RXG	77	CW	145.437.50
NO-006	UHF-RXG	103	CW	438.900.00
NO-007	SSB-S9	61	CW	21.225.13
NO-008	SSB-FS	54	CW	21.225.13

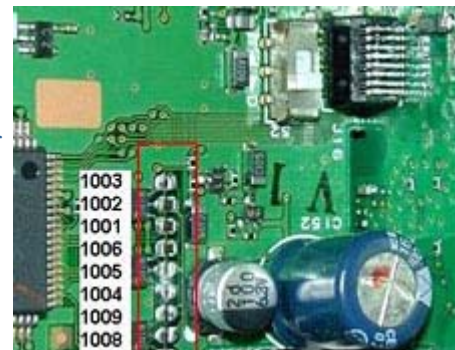
NO-009	FM-S1	68	FM	145.437.50
NO-010	FM-FS	99	FM	145.437.50
NO-011	DISC-L	50	FM	145.437.50
NO-012	DISC-H	79	FM	145.437.50
NO-013	FM-TH1	100	FM	145.437.50
NO-014	FM-TH2	100	FM	145.437.50
NO-015	FM-TI1	10	FM	145.437.50
NO-016	FM-TI2	10	FM	145.437.50
NO-017	VCC	138	FM	145.437.50
NO-018	HF1-IC	83	CW	1.800.00
NO-019	HF2-IC	80	CW	7.068.19
NO-020	HF3-IC	87	CW	21.225.13
NO-021	50M-IC	84	CW	50.000.00
NO-022	VHF-IC	72	CW	145.437.50
NO-023	UHF-IC	74	CW	438.900.00
NO-024	HF1-PO-MAX	165	CW	1.800.00
NO-025	HF1-PO-MID2	105	CW	1.800.00
NO-026	HF1-PO-MID1	31	CW	1.800.00
NO-027	HF1-PO-MIN	13	CW	1.800.00
NO-028	HF2-PO-MAX	159	CW	7.068.19
NO-029	HF2-PO-MID2	102	CW	7.068.19
NO-030	HF2-PO-MID1	29	CW	7.068.19
NO-031	HF2-PO-MIN	11	CW	7.068.19
NO-032	HF3-PO-MAX	158	CW	21.225.13
NO-033	HF3-PO-MID2	101	CW	21.225.13
NO-034	HF3-PO-MID1	29	CW	21.225.13
NO-035	HF3-PO-MIN	11	CW	21.225.13
NO-036	50M-PO-MAX	145	CW	50.000.00
NO-037	50M-PO-MID2	92	CW	50.000.00
NO-038	50M-PO-MID1	47	CW	50.000.00
NO-039	50M-PO-MIN	8	CW	50.000.00
NO-040	VHF-PO-MAX	87	CW	145.437.50
NO-041	VHF-PO-MID	43	CW	145.437.50
NO-042	VHF-PO-MIN	7	CW	145.437.50
NO-043	UHF-PO-MAX	112	CW	438.900.00
NO-044	UHF-PO-MIN	16	CW	438.900.00
NO-045	HF1-TXG	48	USB	1.800.00
NO-046	HF2-TXG	38	USB	7.068.19
NO-047	HF3-TXG	43	USB	21.225.13
NO-048	50M-TXG	40	USB	50.000.00
NO-049	VHF-TXG	47	USB	145.437.50

NO-050	UHF-TXG	49	USB	438.900.00
NO-051	ALC1-M	203	USB	21.225.13
NO-052	ALC-M	85	USB	21.225.13
NO-053	HF1-REV-ALC	61	CW	1.800.00
NO-054	HF2-REV-ALC	56	CW	7.068.19
NO-055	HF3-REV-ALC	50	CW	21.225.13
NO-056	50M-REV-ALC	47	CW	50.000.00
NO-057	VHF-REV-ALC	62	CW	145.437.50
NO-058	UHF-REV-ALC	57	CW	438.900.00
NO-059	CW-CAR-LEVEL	144	CW	21.225.13
NO-060	AM-CAR-LEVEL	125	AM	21.225.13
NO-061	DEV-W	216	FM	145.437.50
NO-062	DEV-N	110	FM	145.437.50
NO-063	MOD-MTR	200	FM	145.437.50
NO-064	DTMF-DEV	10	FM	145.437.50
NO-065	CTCSS-DEV	233	FM	145.437.50
NO-066	DCS-DEV	168	FM	145.437.50
NO-067	LSB-CAR-POINT	-7	LSB	21.225.13
NO-068	USB-CAR-POINT	+5	USB	21.225.13
NO-069	VSWR2 at 10W	17	CW	14.257.90
NO-070	VSWR3 at 10W	42	CW	14.257.90
NO-071	ATAS-TEST		LSB	14.257.90
NO-072	AMTR-TEST		LSB	14.257.90
NO-073	HTEMP-THRESHOLD	38	LSB	14.257.90
NO-074	FTEMP-THRESHOLD	102	LSB	14.257.90

Out of Band Mod (US Version)

FT-857 modification for TX: 1.8-56MHz, 137-164MHz, 420-470MHz

- Remove the seven screws affixing the top panel of the transceiver, and gently lift it upward.
- Carefully remove the small 2-pin speaker plug from the left rear corner of the transceiver interior then remove the top case and set it aside for the moment.
- Locate the nine jumpers about 2" from the front edge of the main unit and about 3/4" from the left edge. For 144/430MHz expansion only, remove the jumper at JP1002, leaving the other jumpers alone. For complete expansion per the above listing,



place jumpers at JP1007/1008/1009, and remove the jumpers at JP1001/1002/1003/1004/1005 (leave the jumper at JP1006 in place). NOTE THE UNUSUAL SEQUENCE FOR THE NUMBERING.

■ Replace the top panel; don't forget to re-connect the speaker lead removed in step 2.

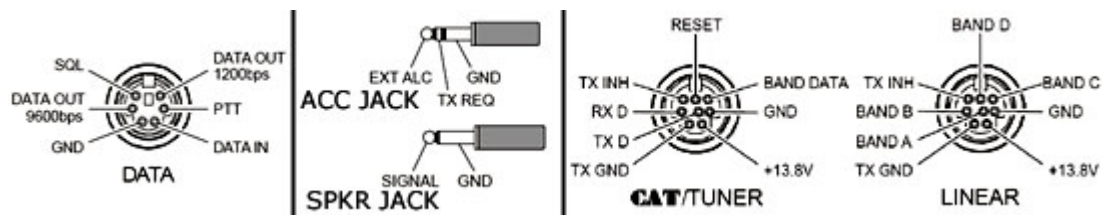
■ With the transceiver off, press and hold in the [F] and [V/M] keys; while holding them in, turn the radio on. Modification is now complete.

There is written a small program to update the Jumper settings for the Yaesu FT897, FT817 and FT857 via the CAT interface! It is available on <http://www.ham.dmz.ro> - softjump.zip This program allows you to perform the jumper modification without modifying the hardware on your radio!

Feedbackdistortion Solution

The only real problem I have encountered with the radio was the feedbackdistortion problem mentioned in other messages here but one call to the Yaesu technicians cured it. They advised me to roll up a few turns of the coax in a 6 inch (15,24 cm) loop at the transmitter to kill the RF. It worked like a champ. I think the DTMF remote mic could use some more shielding as there was no problem at all using the stock mic. But the coax coil is something I would reccommend to all mobile users anyway.

Aansluitingen



Adding drag to the tuning knob

The tuning knob on the FT-857 free wheels too easily. If you prefer a tighter knob with more drag, here is

what to do per a Vertex Standard Technician. Remove the rubber ring around the big tuning knob. Using an allen wrench, loosen the allen screw and remove the knob off it's shaft.

On the shaft you will now see a steel spring. This spring can either add tension or loosen the tension on the knob's shaft. To add more drag just tighten the spring's tension on the shaft. Do the opposite for making less tension on the knob. After you adjust to your likes, put the knob back on, tighten the allen screw, and put back on the rubber ring on knob.

European FM Settings

Dear reader, Being one of Belgium's primary repeater keepers, I put a lot of stress and attention on having correct deviation on my systems, and I keep on telling people to adjust (=decrease) their deviation.

Everybody using the latest generation of kenwood rigs is being shouted at for a far overdriven deviation. The standard is 3kHz, and most manufacturers keep on selling WFM radios producing over 5 kHz. Unfortunately, my recent birthday present, the FT-857, apart from having a very weak HF-frontend, is proud of producing an overdeviation on FM. It is not possible getting the rig to become a decent performer in the 12,5 kHz european world only using the FM mic menus, so here is the solution:

- Press A B C simultaneously when powering on european FM Settings;
- Select (rotary button) item 061 DEV-W and adjust (dial) for 125 (=3 kHz deviation);
- Select item 062 DEV-N and adjust for 50 (=1.5 kHz deviation);
- Select item 065 CTCSS-DEV and adjust for 160 (=500 Hz deviation);
- Press Function to exit;
- Adjust FM MIC Gain in the menu for 15 (was 50 default) and now you are ready to start on FM without ruining the adjacent channels.

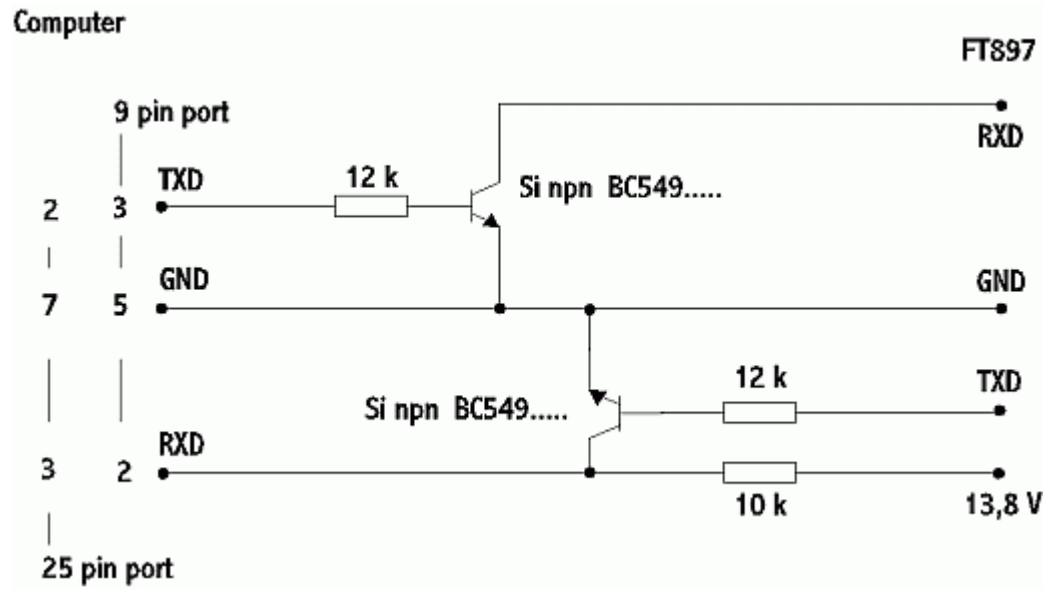
Thanks for your cooperation keeping the spectrum clean (and narrow).

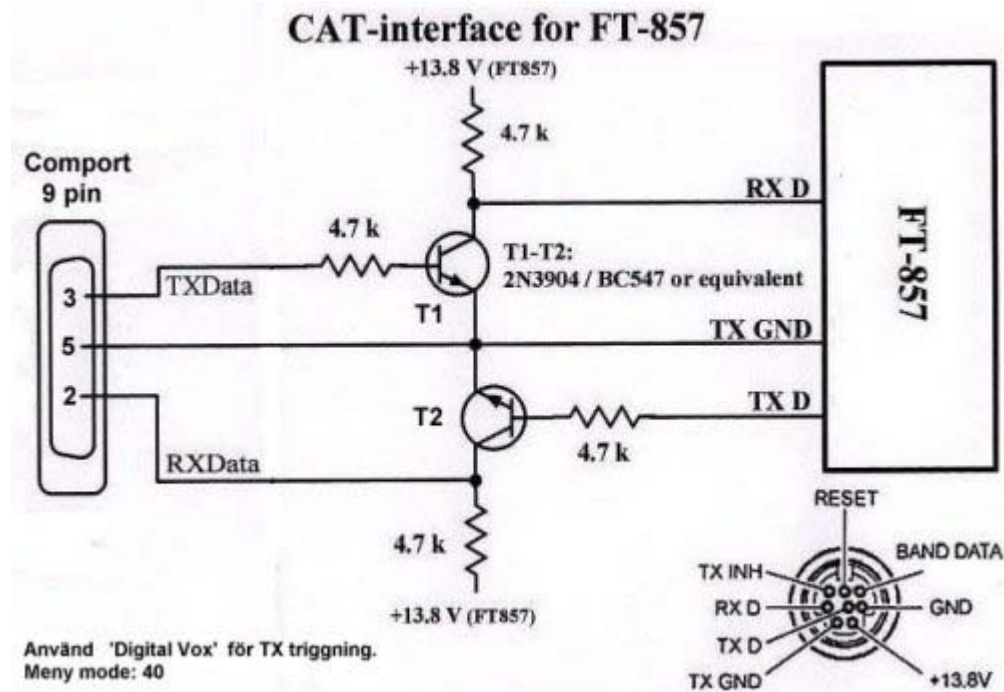
Low Frequency Response in SSB

You can add low frequency responses in both transmit audio as well as receive audio in SSB mode. Basically you shift the carrier point in relation to the audio passband. You can change these values this way:

Push the function key until the menu appears. Now go to the following menu: (note that default all four values are set to 0 Hz) CAR LSB R (menu 15). Here you can adjust the LSB reception carrier and effectively at +300 Hz pull down the audio band pass down to 100 Hz. Same story for CAR LSB T (menu 16) - this is for the transmit part. Again same story for menu 17 and 18, for receiving and transmittin gon USB. Note that for the USB part, you'll have to shift the other way -- e.g. if LSB is at +250, the USB should be at -250.

CAT Kabel





Aan de hand van deze tekeningen heb ik een kabel gebouwd. Echter werkt deze niet. Als vervolg heb ik ook de variant gebouwd met een IC. Echter werkt deze ook niet. Ondanks dat het zeer zorgvuldig is uitgevoerd werkt het systeem niet. Aangezien de set een duur apparaat is heb ik besloten om een originele CT-62 kabel te kopen. Door het uitgeven van €35,00 loop ik in ieder geval niet het risico om de set of computer te vernielen.

Uiteraard heb ik even in de kabel gekeken om te zien wat er in zit. Echter is gebleken dat de interne schakeling ingewikkelder is dan de schemas welke op het web te vinden zijn.

Dus alle doe-het-zelf kabels zijn zeker niet zo goed als de originele. Dit is geen reclame verhaal. Ik vind het bedrag érg hoog voor een stuk kabel, dus wilde ik eerst een goedkopere kabel hebben door deze zelf te maken. Echter ben ik nu duurder uit. Mijn advies is dus ook om meteen een goede originele kabel te kopen. Dan ben je vooralsnog voordeliger uit en dan loop je geen risico om iets te vernielen.

Mijn advies is dus om deze schemas niet te gebruiken!

CAT Kabel Prototype

